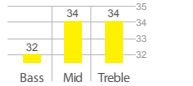


PLASMA-1

The Plasma-1 pickup has been created for the player who wants blistering power, a pickup that produces plenty of mid and high range tones, while the staggered magnets assure an even balance of tonal output! This pickup truly retains the characteristic of a powerful single coil pickup of the highest quality. Plasma-1 pickups are carefully made with a polyurethane coated copper wire. Alnico 5 staggered pole piece magnets. The coils are wax potted for stabilization to insure the complete, clean reproduction of sound. Equipped with 2 wire leads!



Position	D.C.Resistance	Resonant Peak	Spacing	Output Level	Tone Chart:
NECK:	5.8 kohm	6.5 kHz	52 mm	MID	
MIDDLE:	5.8 kohm	6.5 kHz	52 mm	MID	
BRIDGE:	6.5 kohm	6.1 kHz	52 mm	MID-HIGH	

MORE INFORMATION

Type: SINGLE COIL

Copper Wire: POLYURETHANE

Magnet: ALNICO 5 (POLEPIECES)

SINGLE CONDUCTOR SHIELD WIRE:

WHITE-HOT

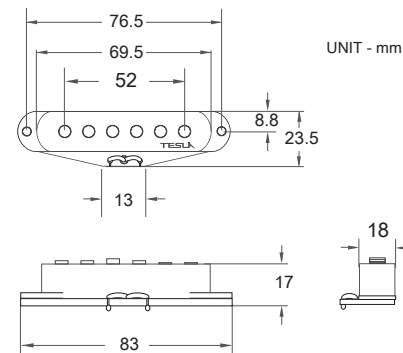
SHIELD-GROUND

PICKUP COLOR:

BLACK,
WHITE

MUSIC STYLES:

ROCK, METAL, POP



Neck & Middle & Bridge